

Technical Information

No. 5464

Edition: 06/06

Substitutes: Edition 06/06

Status: valid

Xenon Short Arc Lamp

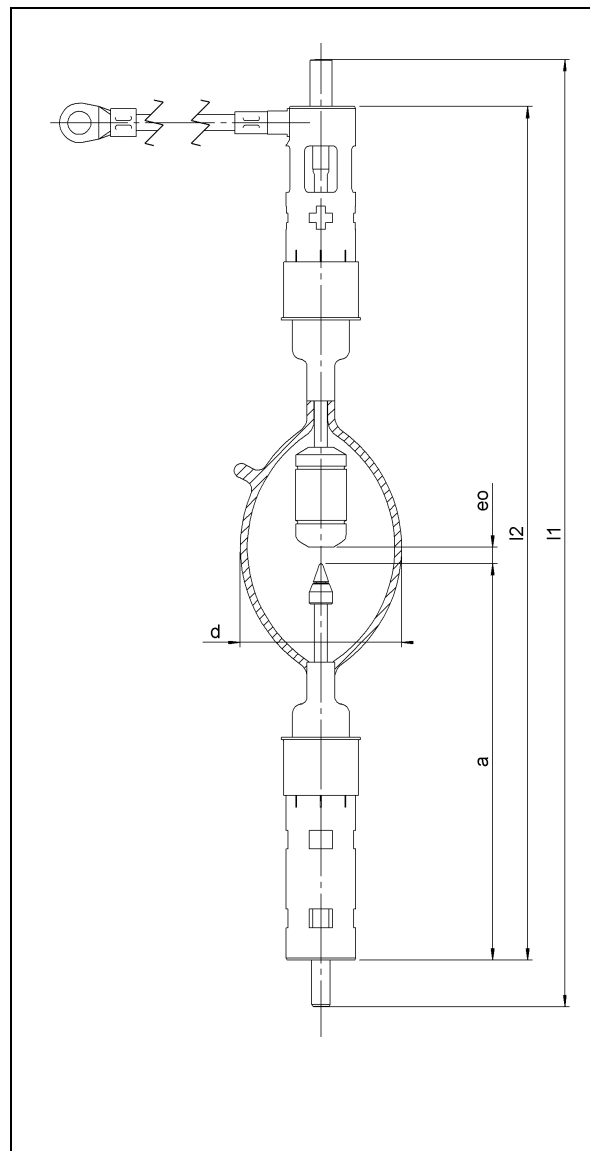
XBO[®] 4500 W/HSLA OFR

■ Product description

The OSRAM XBO[®] 4500 W/HSLA OFR. LA stands for Lumen Advanced. Produced with the latest high brightness XBO technology. A new generation of high light output lamps specially developed for applications requiring excellent arc stability and maximum efficiency of its luminance.

■ Technical data

Order reference	XBO [®] 4500 W/HSLA OFR	
Rated lamp wattage	W	4500
Rated lamp voltage	V	30
Rated lamp current (=)	A	145
Current control range	A	80 - 150
Ignition voltage	kV _P	33
Min. open circuit voltage for cold / hot ignition	V	75 / 110
Luminous flux	lm	190000
Luminous intensity	cd	22000
Average luminance	cd/cm ²	115000
Luminous area w x h *)	mm	1.9 x 5.0
Electrode gap e (cold)	mm	6,0
Lamp length (overall) l ₁	mm	max. 410
Lamp length l ₂	mm	max. 370
LCL	a	mm 171
Bulb diameter	d	mm 60
Average service life	h	1500
Warranty	h	1000
Base	Cathode:	SFa 30-7,9
	Anode:	SFa X 30-9,5



*) w = luminance half width value; h = height of luminance area (corresponds to electrode gap, hot)

**) Using electronic rectifier with low current ripple

■ Lamp operation

Maximum permissible base temperature	230°C
Cooling	forced cooling / fan
Min. air flow velocity around discharge vessel	6 m/s
Magnetic arc stabilization	necessary for horizontal operation

Technical Information

No. 5464

Edition: 06/06

Substitutes: Edition 06/06

Status: valid

Burning position

Xenon Short Arc Lamp

XBO[®] 4500 W/HSLA OFR

s 15 (vertical $\pm 15^\circ$; anode up) ; p 15 (horizontal $\pm 15^\circ$)